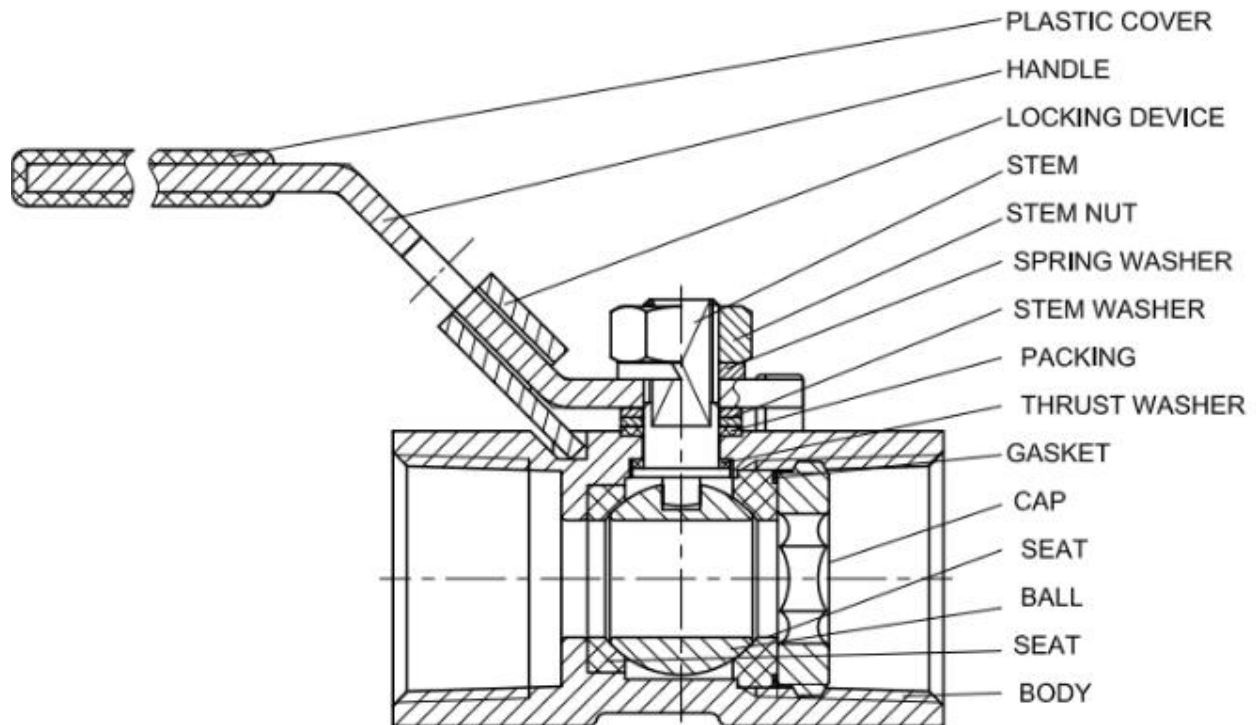


## One Piece Unibody Reduced Port Ball Valve - Series 12 Installation, Operation, and Maintenance Instructions



=

### **INSTALLATION:**

These valves may be installed in the pipeline in any orientation or position, using good piping practice. For threaded end valves, use a suitable joint compound or TFE tape on pipe threads for ease of fit-up.

### **OPERATION:**

These are quarter-turn (90° rotation) ball valves and are normal fitted with a latching lever handle for manual operation. The handles also contain travel stop tabs at the open and closed positions. To open the valve, lift



833-831-2312 | 885 Cambridge Dr., Elk Grove Village, IL 60007 | [www.chicagovalves.com](http://www.chicagovalves.com)

---

the latch/lock slider up, and turn the handle counterclockwise. To close the valve, lift the latch/lock and turn the handle clockwise.

### **MAINTENANCE:**

**----WARNING----**

**Do not attempt to perform  
maintenance on valves in  
pressurized lines.**

### **Stem Seal Adjustment:**

If leakage is evident from the stem packing area, tighten the stem nut 1/8 turn. If the leakage persists, repeat tightening. When leakage cannot be corrected by tightening the stem nut, replacement of the valve will be necessary.



833-831-2312 | 885 Cambridge Dr., Elk Grove Village, IL 60007 | [www.chicagovalves.com](http://www.chicagovalves.com)